

# CE EMC TEST REPORT

for

**Product: Emergency Lighting**

**Model: MT0303**

**MT0323, LB0303, LB0323, LN0303, LN0323, LN2919, LN2922, LN2916,  
LN2921, LN2923, LG0303, LG0323, EV0303, EV0323, EV2919, EV2922,  
EV2916, EV2921, EV2923, AB0303, AB0323, AN0303, AN0323, AN2919,  
AN2922, AN2916, AN2921, AN2923, AG0303, AG0323**

Issued for

**Wenzhou Yijie Electric Co., Ltd**

**No. 83, Fengquan Road, Tianhe street, Wenzhou Economic and  
Technological Development Zone, Wenzhou City, Zhejiang Province**

Issued by

**Shenzhen ZCT Technology Co.,Ltd.**

**3/F., Building 5, Hongsheng Industrial Zone, Bao'an Road, Xixiang Street,  
Bao'an District, Shenzhen, Guangdong, China.**

**TEL: 400-669-6965**

**FAX: (86) 755-23702323**

Note: This report shall not be reproduced except in full, without the written approval of Shenzhen ZCT Technology Co.,Ltd. This document may be altered or revised by Shenzhen ZCT Technology Co.,Ltd. personnel only, and shall be noted in the revision section of the document. The test results presented in this report only relate to the tested sample.



## TABLE OF CONTENTS

<b>1. TEST CERTIFICATION</b> .....	<b>3</b>
<b>2. TEST SUMMARY</b> .....	<b>5</b>
<b>3. TEST SITE</b> .....	<b>6</b>
3.1. TEST FACILITY .....	6
3.2. LIST OF TEST AND MEASUREMENT INSTRUMENTS .....	6
<b>4. EUT DESCRIPTION</b> .....	<b>10</b>
<b>5. TEST METHODOLOGY</b> .....	<b>11</b>
5.1. TEST MODE .....	11
5.2. EUT SYSTEM OPERATION .....	11
<b>6. SETUP OF EQUIPMENT UNDER TEST</b> .....	<b>12</b>
6.1. DESCRIPTION OF SUPPORT UNITS .....	12
6.2. CONFIGURATION OF SYSTEM UNDER TEST .....	12
<b>7. EMISSION TEST</b> .....	<b>13</b>
7.1. CONDUCTED EMISSION MEASUREMENT .....	13
7.2. RADIATED ELECTROMAGNETIC DISTURBANCE .....	15
7.3. RADIATED EMISSION MEASUREMENT .....	17
7.4. HARMONICS CURRENT MEASUREMENT .....	21
7.5. VOLTAGE FLUCTUATION AND FLICKS MEASUREMENT .....	23
<b>8. IMMUNITY TEST</b> .....	<b>24</b>
8.1. GENERAL DESCRIPTION .....	24
8.2. GENERAL PERFORMANCE CRITERIA DESCRIPTION .....	26
8.3. ELECTROSTATIC DISCHARGE (ESD) .....	27
8.4. RADIATED, RADIO-FREQUENCY, ELECTROMAGNETIC FIELD (RS) .....	31
8.5. ELECTRICAL FAST TRANSIENT (EFT) .....	34
8.6. SURGE IMMUNITY TEST .....	36
8.7. CONDUCTED RADIO FREQUENCY DISTURBANCES (CS) .....	38
8.8. POWER FREQUENCY MAGNETIC FIELD .....	40
8.9. VOLTAGE DIP & VOLTAGE INTERRUPTIONS .....	43
<b>9. PHOTOGRAPHS OF EUT</b> .....	<b>45</b>



## 1. TEST CERTIFICATION

Product:	Emergency Lighting
Model:	MT0303 MT0323, LB0303, LB0323, LN0303, LN0323, LN2919, LN2922, LN2916, LN2921, LN2923, LG0303, LG0323, EV0303, EV0323, EV2919, EV2922, EV2916, EV2921, EV2923, AB0303, AB0323, AN0303, AN0323, AN2919, AN2922, AN2916, AN2921, AN2923, AG0303, AG0323
Trade Mark:	N/A
Applicant :	Wenzhou Yijie Electric Co., Ltd
Address:	No. 83, Fengquan Road, Tianhe street, Wenzhou Economic and Technological Development Zone, Wenzhou City, Zhejiang Province
Manufacturer:	Wenzhou Yijie Electric Co., Ltd
Address:	No. 83, Fengquan Road, Tianhe street, Wenzhou Economic and Technological Development Zone, Wenzhou City, Zhejiang Province
Test Date:	June. 15, 2022 to June. 22, 2022
Issued Date:	June. 22, 2022
Test Voltage:	AC 220V, 50/60Hz, 4W
Applicable Standards:	EMC Directive 2014/30/EU EN IEC 55015:2019+A11:2020 EN 61547:2009 EN IEC 61000-3-2:2019+A1:2021 EN 61000-3-3:2013+A2:2021



The above equipment has been tested by Shenzhen ZCT Technology Co.,Ltd. and found compliance with the requirements in the technical standards mentioned above. The test results presented in this report only relate to the product/system tested. The Other similar equipment will not necessarily produce the same results due to production tolerance and measurement uncertainties.

Test Engineer :

*Alex Li*

Alex Li/ Engineer

Technical Manager :



Tomy Wu /Manager



## 2. TEST SUMMARY

EMISSION			
Standard	Item	Result	Remarks
EN IEC 55015:2019+A11:2020	Conducted (Main Port)	PASS	Complied with limit
	Radiated Electromagnetic Disturbance	PASS	Complied with limit
	Radiated Emission	PASS	Complied with limit
EN IEC 61000-3-2:2019+A1:2021	Harmonic current emissions	PASS	Complied with limit
EN 61000-3-3:2013+A2:2021	Voltage fluctuations & flicker	PASS	Complied with limit

IMMUNITY			
Standard	Item	Result	Remarks
EN 61000-4-2:2009	ESD	PASS	Complied with limit
EN IEC 61000-4-3:2020	RS	PASS	Complied with limit
EN 61000-4-4:2012	EFT	PASS	Complied with limit
EN 61000-4-5: 2014+A1:2017	Surge	PASS	Complied with limit
EN 61000-4-6: 2014+AC:2015	CS	PASS	Complied with limit
EN 61000-4-8:2010	PFMF	N/A	Not applicable
EN IEC 61000-4-11: 2020+AC:2020-06	Voltage dips & voltage variations	PASS	Complied with limit

Note: 1) The test result verdict is decided by the limit of test standard

2) The information of measurement uncertainty is available upon the customer's request.



### 3. TEST SITE

#### 3.1. TEST FACILITY

Shenzhen ZCT Technology Co.,Ltd.

Address: 3/F., Building 5, Hongsheng Industrial Zone, Bao'an Road, Xixiang Street,  
Bao'an District, Shenzhen, Guangdong, China.

#### 3.2. LIST OF TEST AND MEASUREMENT INSTRUMENTS

##### 3.2.1. For conducted emission at the mains terminals test

Name of Equipment	Manufacturer	Model	Serial No.	Calibration Due
EMI Test Receiver	Rohde&Schwarz	ESCI	101417	Aug. 19, 2022
Artificial Mains Network	Rohde&Schwarz	L2-16B	000WX31025	Aug. 19, 2022
Artificial Mains Network	Rohde&Schwarz	ENV216	101342	Aug. 19, 2022

##### 3.2.2. For radiated electromagnetic emission test

Name of Equipment	Manufacturer	Model	Serial No.	Calibration Due
EMI Test Receiver	Rohde&Schwarz	ESCI	101417	Aug. 19, 2022
Triple-Loop Antenna	PATCH PANEL	RF300	9138	Aug. 19, 2022



### 3.2.3. For radiated emission test (30MHz-1GHz)

Name of Equipment	Manufacturer	Model	Serial No.	Calibration Due
EMI Test Receiver	Rohde&Schwarz	ESCI	101417	Aug. 19, 2022
Bilog Antenna	SCHWARZBECK	VULB 9168	9168-3355	Aug. 21, 2022
Preamplifier (low frequency)	SCHWARZBECK	BBV 9475	9745-0013	Aug. 19, 2022

### 3.2.4. For harmonic current emissions and voltage fluctuations/flicker test

Name of Equipment	Manufacturer	Model	Serial No.	Calibration Due
Harmonics / Flicker Test System	California Instruments	CTS/PACS-1-115	1534A00401	Aug. 19, 2022
AC Power Source	California Instruments	3001IX-208-CTS	1534A00401	Aug. 19, 2022

### 3.2.5. For electrostatic discharge immunity test

Name of Equipment	Manufacturer	Model	Serial No.	Calibration Due
ESD Generator	SCHLODER	SESD216	606137	Aug. 20, 2022

### 3.2.6. For radio frequency electromagnetic field immunity (R/S) test (DQT)

Name of Equipment	Manufacturer	Model	Serial No.	Calibration Due
Signal Generator	Agilent	N517113-50B	MY53050160	Oct.29, 2022
Amplifier	A&R	150W1000M3	313157	Oct.29, 2022
Amplifier	A&R	50SIG6M2	0342835	Oct.29, 2022
Antenna	SCHWARZBECK	STLP9149	9149.222	Oct.29, 2022
Isotropic Field Probe	A&R	FL7006	0342652	Oct.29, 2022





Log-periodic Antenna	SCHWARZBECK	STLP 9128E	9128E-012	Oct.29, 2022
----------------------	-------------	------------	-----------	--------------

**3.2.7. For electrical fast transient/burst immunity test**

Name of Equipment	Manufacturer	Model	Serial No.	Calibration Due
EFT Tester	HTEC	HEFT 51	1416010	Aug. 19, 2022
EFT Coupling Clamp	HTEC	HEFT 51-C	1416011	Aug. 19, 2022

**3.2.8. For surge immunity test**

Name of Equipment	Manufacturer	Model	Serial No.	Calibration Due
Surge Tester	HTEC	HCWG 71	174302	Aug. 19, 2022
Surge Tester	HTEC	TCOMB 4	142103	Aug. 19, 2022
Surge Tester	HTEC	HTSG 70	175002	Aug. 19, 2022

**3.2.9. For injected currents susceptibility test**

Name of Equipment	Manufacturer	Model	Serial No.	Calibration Due
C/S Test System	SCHLODER	CDG-6000-25	126A1279/2014	Aug. 19, 2022
Coupling Decoupling Network	SCHLODER	CDN-M2+3	A2210251/2013	Aug. 19, 2022
Electromagnetic Injection Clamp	Luthi	EM101	36041	Aug. 19, 2022





**3.2.10. For power frequency magnetic field immunity test**

Name of Equipment	Manufacturer	Model	Serial No.	Calibration Due
Magnetic Field Tester	HTEC	HPFMF	142104	Aug. 19, 2022

**3.2.11. For voltage dips and short interruptions immunity test**

Name of Equipment	Manufacturer	Model	Serial No.	Calibration Due
Dips Tester	HTEC	HV1P16T/HCOM PACT52	170901/190901	Aug. 19, 2022



## 4. EUT DESCRIPTION

<b>Product</b>	Emergency Lighting (See the attachment for series models)
<b>Model</b>	MT0303
<b>Supplied Voltage</b>	AC 220V,50/60Hz,4W
<b>Power</b>	4W

### I/O PORT

I/O PORT TYPES	Q'TY	TESTED WITH
AC Port	1	<input checked="" type="checkbox"/>
DC Port	1	<input type="checkbox"/>

### Models Difference



## 5. TEST METHODOLOGY

### 5.1. TEST MODE

The EUT was tested together with the thereafter additional components, and a configuration, which produced the worst emission levels, was selected and recorded in this report.

The following test mode(s) were assessed.

	Test Items	Test Mode
Emission	Conducted Emission	N/A
	Radiated Electromagnetic Disturbance	N/A
	Radiated Emission	Lighting
	Harmonic current emissions	N/A
	Voltage fluctuations & flicker	N/A
Immunity	ESD	Lighting
	RS	Lighting
	EFT	Lighting
	Surge	Lighting
	C/S	Lighting
	M/S	N/A
	Dips	Lighting

### 5.2. EUT SYSTEM OPERATION

1. Set up EUT with the support equipment.
2. Make sure the EUT work normally during the test.



## 6. SETUP OF EQUIPMENT UNDER TEST

### 6.1. DESCRIPTION OF SUPPORT UNITS

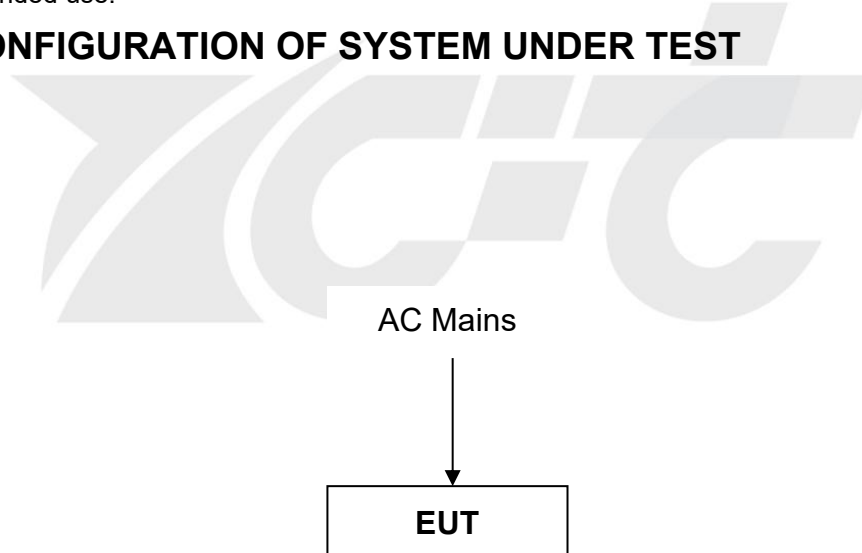
The EUT has been tested as an independent unit together with other necessary accessories or support units. The following support units or accessories were used to form a representative test configuration during the tests.

No.	Equipment	Model	Serial No.	FCC ID	Trade Name	Data Cable	Power Cord
1.	N/A	N/A	N/A	N/A	N/A	N/A	N/A

Note: 1) All the equipment/cables were placed in the worst-case configuration to maximize the emission during the test.

2) Grounding was established in accordance with the manufacturer's requirements and conditions for the intended use.

### 6.2. CONFIGURATION OF SYSTEM UNDER TEST



(EUT: Emergency Lighting)



## 7. EMISSION TEST

### 7.1. CONDUCTED EMISSION MEASUREMENT

#### 7.1.1. LIMITS

FREQUENCY (MHz)	LIMITS(dB $\mu$ V)	
	Quasi-peak	Average
0.009-0.05	110	N/A
0.05-0.15	90 – 80	N/A
0.15 - 0.5	66 – 56	56 - 46
0.50 - 5.0	56	46
5.0 - 30.0	60	50

Note: 1) The lower limit shall apply at the transition frequencies.

2) The limit decreases in line with the logarithm of the frequency in the range of 0.15 MHz to 0.5 MHz

#### 7.1.2. TEST PROCEDURES

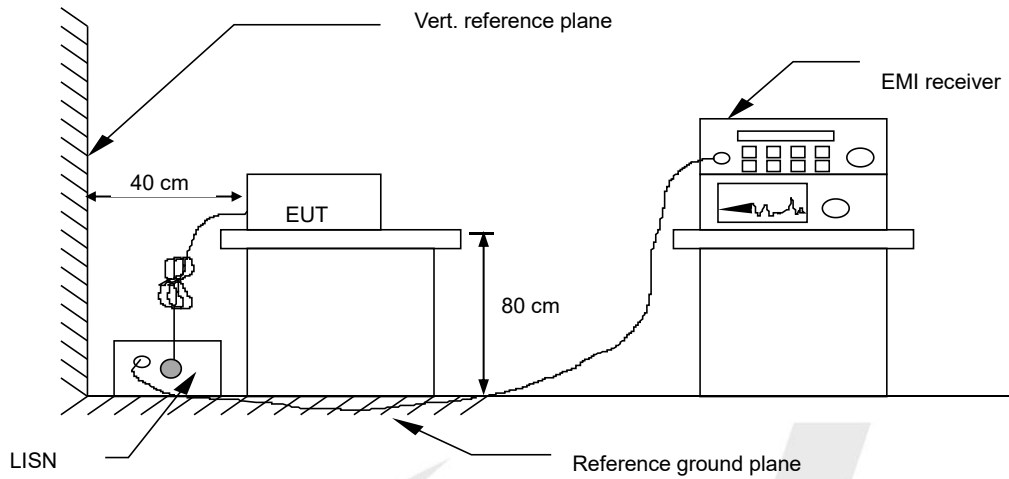
The EUT and Support equipment, if needed, was set up as per the test configuration to simulate typical usage per the user's manual. When the EUT is a tabletop system, a wooden table with a height of 0.8 meters is used and is placed on the ground plane. When the EUT is floor standing equipment, it is placed on the ground plane, which has a 3-12 mm non-conductive covering to insulate the EUT from the ground plane. The EUT should be 0.8 m apart from the AMN, where the mains cable supplied by the manufacturer is longer than 0.8 m, the excess should be folded at the centre into a bundle no longer than 0.4 m, Details please refer to test setup photography.

The Receiver scanned from 9 kHz to 30 MHz for emissions in each of the test modes. During the above scans, the emissions were maximized by cable manipulation.

A scanning was taken on the power lines, Line and neutral, recording at least six highest emissions. Emission frequency and amplitude were recorded into a computer in which correction factors were used to calculate the emission level and compare reading to the applicable limit. The test data of the worst-case condition(s) was recorded.



### 7.1.3. TEST SETUP



For the actual test configuration, please refer to the related item – Photographs of the Test Configuration.

### 7.1.4. TEST RESULT

N/A



## 7.2. RADIATED ELECTROMAGNETIC DISTURBANCE

### 7.2.1. LIMITS

Frequency	Limits for loop diameter dB( $\mu$ A)*		
	2 m	3 m	4 m
9 kHz-70 kHz	88	81	75
70 kHz-150 kHz	88-58**	81-51**	75-45**
150 kHz-3.0 MHz	58-22**	51-15**	45-9**
3.0 MHz-30 MHz	22	15-16***	9-12***

\* At the transition frequency, the lower limit applies.  
\*\* Decreasing linearly with the logarithm of the frequency.  
\*\*\* Increasing linearly with the logarithm of the frequency.

### 7.2.2. TEST PROCEDURE

The EUT and support equipment are positioned in the centre of loop antenna system (LAS). The LAS consists of three circular, mutually perpendicular large-loop antennas (LLAs), having a diameter of 2 m, supported by a non-metallic base. A 50  $\Omega$  coaxial cable between the current probe of an LLA and the coaxial switch, and between this switch and the measuring equipment, shall have surface transfer impedance smaller than 10 m $\Omega$ /m at 100 kHz and 1 m $\Omega$ /m at 10 MHz. The distance between the outer diameter of the loop antenna system and nearby objects, such as floor and walls, shall be at least 0.5 m as per CISPR 15/ EN 55015.

The induced current in the loop antenna is measured by means of a current probe (1 V/A) and the CISPR measuring receiver. By means of a coaxial switch, the three field directions (X, Y, Z) can be measured in sequence.

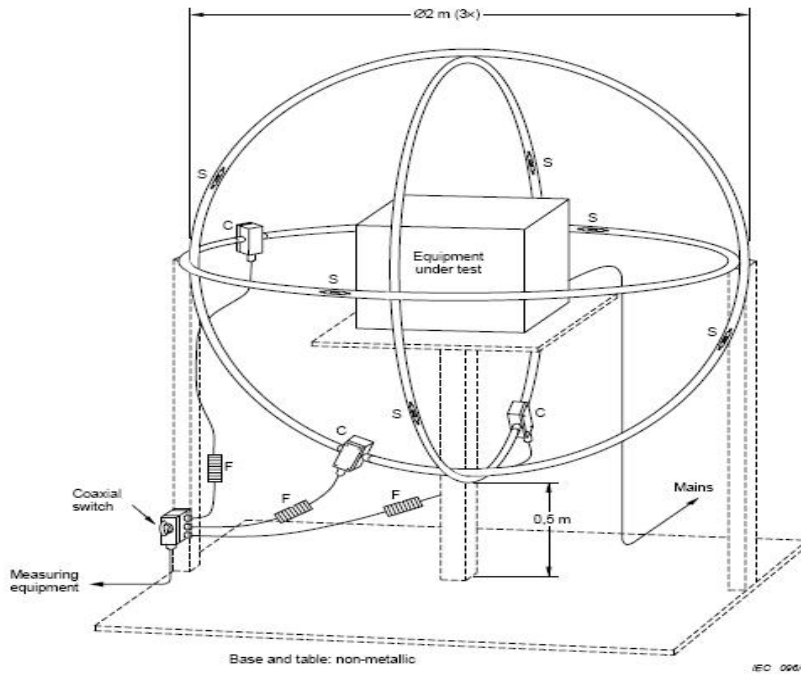
The receiver scanned from 9 kHz to 30 MHz for emissions in each of the test modes, and recorded at least the six highest emissions. Each value shall comply with the requirement given.

The test data of the worst-case condition(s) was recorded.





### 7.2.3. TEST SETUP



For the actual test configuration, please refer to the related item – Photographs of the Test Configuration.

### 7.2.4. TEST RESULT

N/A



## 7.3. RADIATED EMISSION MEASUREMENT

### 7.3.1. LIMITS

FREQUENCY (MHz)	Limit (dB $\mu$ V/m) (At 3 m)	Limit (dB $\mu$ V/m) (At 10 m)
30 ~ 230	40	30
230 ~ 300	47	37

Note: 1) The lower limit shall apply at the transition frequencies.

2) Emission level (dB $\mu$ V/m) = 20 log Emission level ( $\mu$ V/m).

### 7.3.2. TEST PROCEDURE

The equipment was set up as per the test configuration to simulate typical usage per the user's manual. When the EUT is a tabletop system, a wooden turntable with a height of 0.8 meters is used which is placed on the ground plane. When the EUT is floor standing equipment, it is placed on the ground plane which has a 3-12 mm non-conductive covering to insulate the EUT from the ground plane.

The antenna was placed at 3 meter away from the EUT. The antenna connected to the spectrum analyzer via a cable and at times a pre-amplifier would be used.

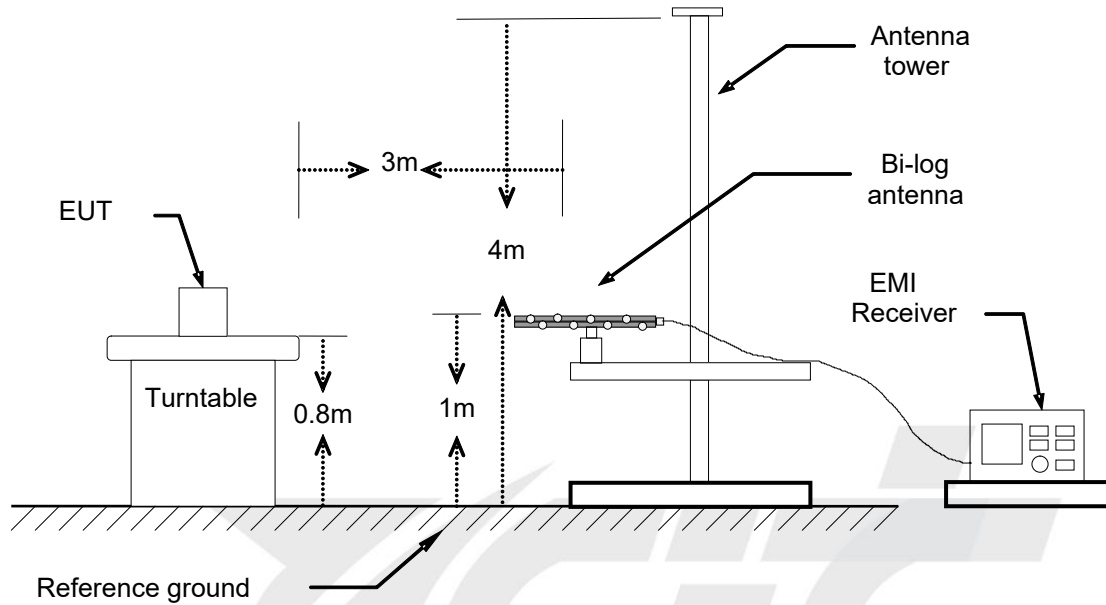
The analyzer / receiver quickly scanned from 30 MHz to 300 MHz. The EUT test program was started. Emissions were scanned and measured rotating the EUT to 360 degrees and positioning the antenna 1 to 4 meters above the ground plane, in both the vertical and the horizontal polarization, to maximize the emission reading level.

During the above scans, the emissions were maximized by cable manipulation. Each modes is measured, recorded at least the six highest emissions. Emission frequency, amplitude, antenna position, polarization and turntable position were recorded into a computer in which correction factors were used to calculate the emission level and compare reading to the applicable limit and only Q.P. reading is presented.

The test data of the worst-case condition(s) was recorded.



### 7.3.3. TEST SETUP



For the actual test configuration, please refer to the related item – Photographs of the Test Configuration

### 7.3.4. TEST RESULT

<b>Product name</b>	Emergency Lighting	<b>Antenna Distance</b>	3 m
<b>Model</b>	MT0303	<b>Antenna Pole</b>	Vertical / Horizontal
<b>Test Mode</b>	Lighting	<b>Detector Function</b>	Peak / Quasi-peak
<b>Environmental Conditions</b>	24.3°C, 54.1 % RH, 101.1 kPa	<b>6 dB Bandwidth</b>	120 kHz
<b>Tested by</b>	Qick	<b>Test Result</b>	Pass

Note:

Freq. = Emission frequency in MHz

Reading level (dB $\mu$ V/m) = Receiver reading

Corr. Factor (dB) = Antenna factor + Cable loss

Measurement (dB $\mu$ V/m) = Reading level (dB $\mu$ V/m) + Corr. Factor (dB)

Limit (dB $\mu$ V/m) = Limit stated in standard

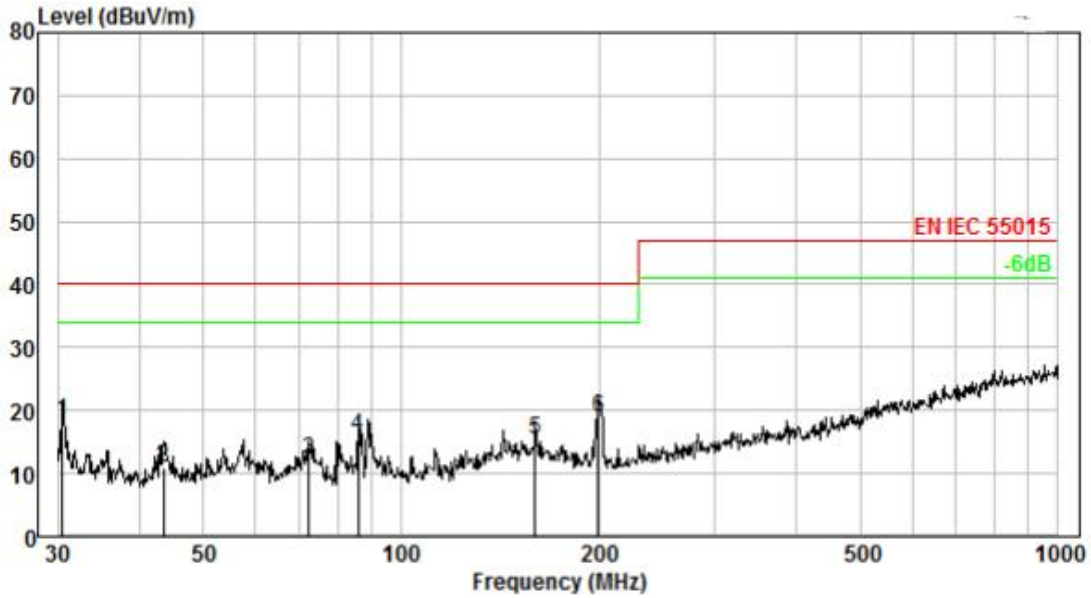
Over Limit (dB) = Measurement (dB $\mu$ V/m) – Limit (dB $\mu$ V/m)

QP = Quasi-Peak



Please refer to the following diagram:

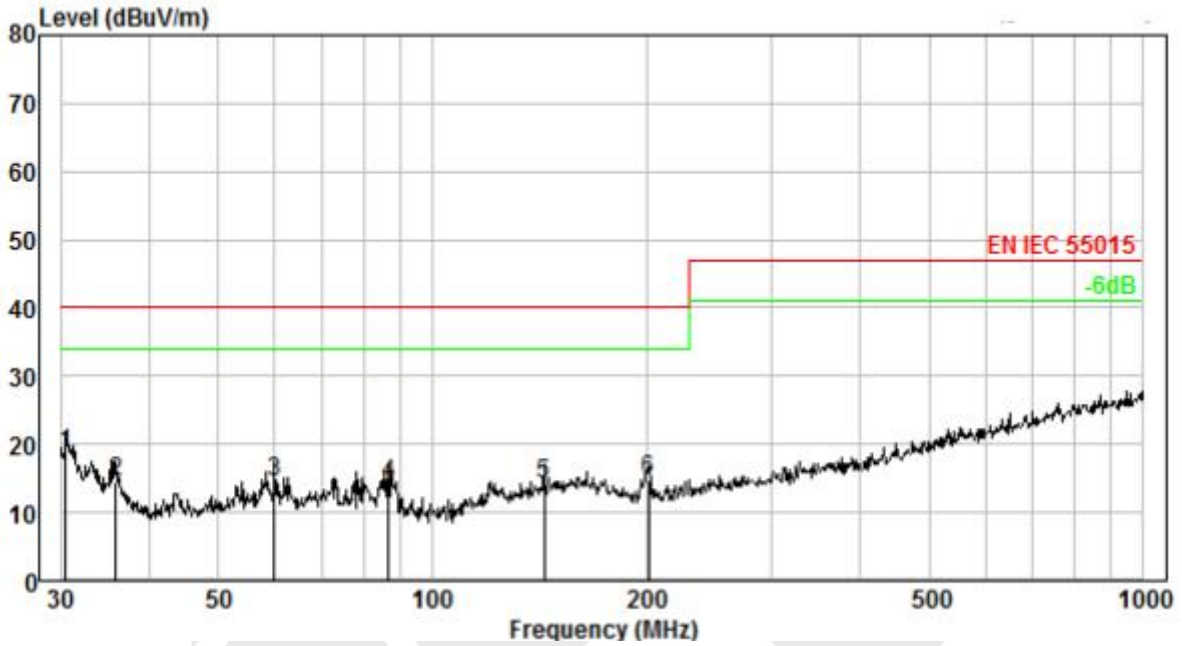
Vertical:



No.	Freq MHz	Cable Loss dB	ANT Factor dB/m	Receiver Reading dBuV	Preamp Factor dB	Emission Level dBuV/m	Limit dBuV/m	Over Limit dB	Remark
1.	30.531	1.23	11.76	35.13	29.89	18.23	40.00	-21.77	QP
2.	43.506	1.84	12.24	26.80	29.91	10.97	40.00	-29.03	QP
3.	72.338	2.72	9.77	29.48	29.96	12.01	40.00	-27.99	QP
4.	85.898	3.01	8.79	34.24	29.97	16.07	40.00	-23.93	QP
5.	159.784	4.08	14.09	27.10	30.02	15.25	40.00	-24.75	QP
6.	199.286	4.45	11.05	33.56	30.04	19.02	40.00	-20.98	QP



Horizontal:



No.	Freq MHz	Cable Loss dB	ANT Factor dB/m	Receiver Reading dBuV	Preamp Factor dB	Emission Level dBuV/m	Limit dBuV/m	Over Limit dB	Remark
1.	30.531	1.23	11.76	35.61	29.89	18.71	40.00	-21.29	QP
2.	35.875	1.51	12.18	30.77	29.90	14.56	40.00	-25.44	QP
3.	59.859	2.39	11.71	30.29	29.94	14.45	40.00	-25.55	QP
4.	86.807	3.03	8.88	32.31	29.98	14.24	40.00	-25.76	QP
5.	143.830	3.90	13.46	26.76	30.02	14.10	40.00	-25.90	QP
6.	201.393	4.47	11.05	29.27	30.04	14.75	40.00	-25.25	QP



## 7.4. HARMONICS CURRENT MEASUREMENT

### 7.4.1. LIMITS OF HARMONICS CURRENT MEASUREMENT

Limit for Class A equipment		Limit for Class D equipment		
Harmonics Order N	Max. permissible harmonics current A	Harmonics Order n	Max. permissible harmonics current per watt mA/W	Max. permissible harmonics current A
Odd harmonics		Odd Harmonics only		
3	2.30	3	3.4	2.30
5	1.14	5	1.9	1.14
7	0.77	7	1.0	0.77
9	0.40	9	0.5	0.40
11	0.33	11	0.35	0.33
13	0.21	13	0.30	0.21
15 ≤ n ≤ 39	0.15x(15/n)	15 ≤ n ≤ 39 (odd harmonics only)	3.85/n	0.15x(15/n)
Even harmonics				
2	1.08			
4	0.43			
6	0.30			
8 ≤ n ≤ 40	0.23x8/n			

Limit for Class C equipment	
Harmonics Order n	Max. permissible harmonics current expressed as a percentage of the input current at the fundamental frequency A
2	2
3	30xF
5	10
7	7
9	5
11 ≤ n <= 39 (odd harmonics only)	3

F is the circuit power factor

Note: Class A, B, C and D are classified according to item 7.4.2.of this report

### 7.4.2. TEST PROCEDURES

The EUT was placed on the top of a wooden table 0.8 meters above the ground and operated to produce



the maximum harmonic. The classification of EUT is according to section 5 of EN 61000-3-2.

The EUT is classified as follows:

Class A:

Balanced three-phase equipment, Household appliances excluding equipment as Class D, Tools excluding portable tools, Dimmers for incandescent lamps, audio equipment, equipment not specified in one of the three other classes.

Class B:

Portable tools; Arc welding equipment which is not professional equipment.

Class C:

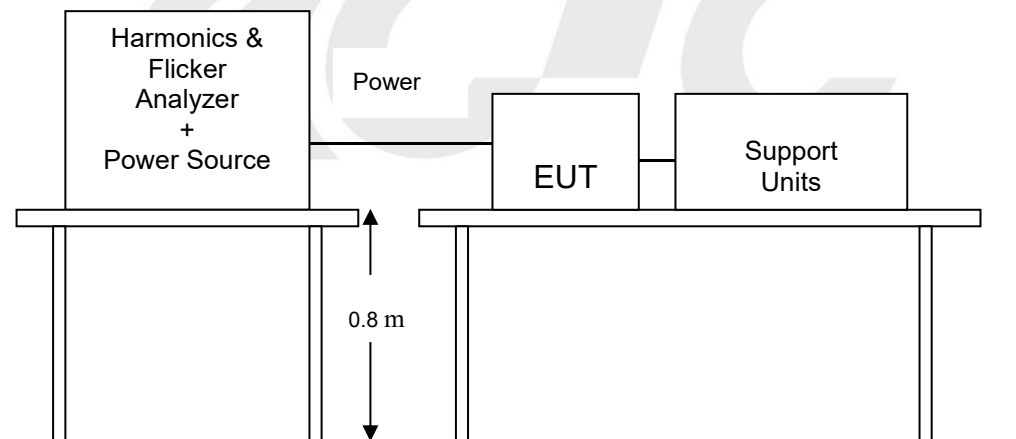
N/A equipment

Class D:

Equipment having a specified power less than or equal to 600 W of the following types: Personal computers and personal computer monitors and television receivers.

The correspondent test program of test instrument to measure the current harmonics emanated from EUT is chosen. The measure time shall be not less than the time necessary for the EUT to be exercised.

### 7.4.3. TEST SETUP



For the actual test configuration, please refer to the related item – Photographs of the Test Configuration.

### 7.4.4. TEST RESULT

N/A





## 7.5. VOLTAGE FLUCTUATION AND FLICKS MEASUREMENT

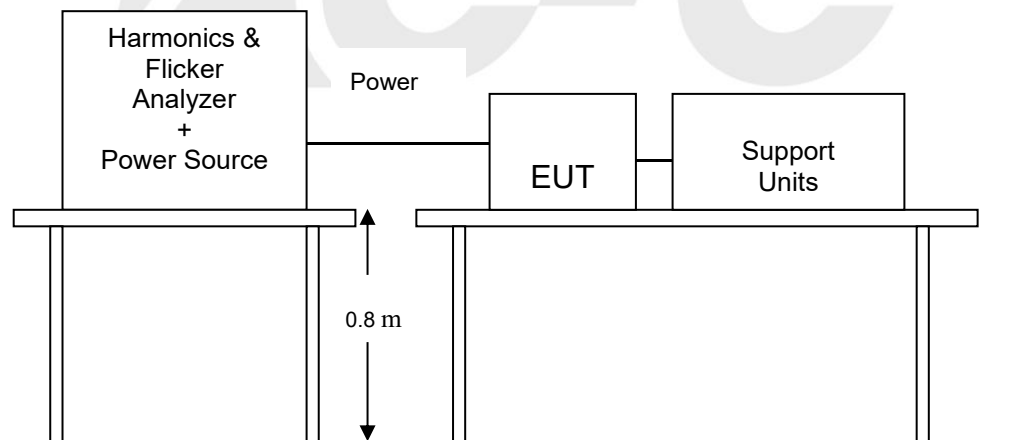
### 7.5.1. LIMITS OF VOLTAGE FLUCTUATION AND FLICKS MEASUREMENT

TEST ITEM	LIMIT	REMARK
$P_{st}$	1.0	$P_{st}$ means short-term flicker indicator.
$P_{lt}$	0.65	$P_{lt}$ means long-term flicker indicator.
$T_{dt}$ (ms)	500	$T_{dt}$ means maximum time that dt exceeds 3 %.
$d_{max}$ (%)	4/6/7 %	$d_{max}$ means maximum relative voltage change.
dc (%)	3.3 %	dc means relative steady-state voltage change

### 7.5.2. TEST PROCEDURE

The EUT was placed on the top of a wooden table 0.8 meters above the ground and operated to produce the most unfavorable sequence of voltage changes under N/A operating conditions. During the flick measurement, the measure time shall include that part of whole operation cycle in which the EUT produce the most unfavorable sequence of voltage changes. The observation period for short-term flicker indicator is 10 minutes and the observation period for long-term flicker indicator is 2 hours.

### 7.5.3. TEST SETUP



For the actual test configuration, please refer to the related item – Photographs of the Test Configuration.

### 7.5.4. TEST RESULT

N/A



## 8. IMMUNITY TEST

### 8.1. GENERAL DESCRIPTION

Product Standard	EN 61547	
	Test Type	Minimum Requirement
Basic Standard, Specification, and Performance Criterion required	EN 61000-4-2	Electrostatic Discharge – ESD: ±8 kV air discharge, ±4 kV Contact discharge, Performance Criterion B
	EN 61000-4-3	Radio-Frequency Electromagnetic Field Susceptibility Test – RS: 80 ~1000 MHz, 3 V/m, 80 % AM(1 kHz), Performance Criterion A
	EN 61000-4-4	Electrical Fast Transient/Burst - EFT, Power line: ±1 kV, Signal line: ±0.5 kV, Performance Criterion B
	EN 61000-4-5	Surge Immunity Test: 1.2/50 μs Open Circuit Voltage, 8 /20 μs Short Circuit Current, Power Port ~ Line to line: ±0.5 kV, Line to ground: ±1 kV ( to self-ballasted lamps and semi-luminaires; luminaires and independent auxiliaries which are less than or equal to 25 W) Power Port ~ Line to line: ±1 kV, Line to ground: ±2 kV (to luminaires and independent auxiliaries which are more than 25 W) Signal Port : ±0.5 kV Performance Criterion B
	EN 61000-4-6	Conducted Radio Frequency Disturbances Test –CS: 0.15 ~ 80 MHz, 3 Vrms, 80 % AM, 1 kHz, Performance Criterion A
	EN 61000-4-8	Power frequency magnetic field immunity test 50 Hz, 3 A/m Performance Criterion A



	EN 61000-4-11	Voltage Dips and Interruptions: i) 30 % reduction for 10 period, Performance Criterion C ii) 100 % reduction for 0.5 period Performance Criterion B
--	---------------	---



## 8.2. GENERAL PERFORMANCE CRITERIA DESCRIPTION

<b>Criteria A:</b>	During the test no change of the luminous intensity shall be observed and the regulating control, if any, shall operate during the test as intended.
<b>Criteria B:</b>	<p>During the test the luminous intensity may change to any value. After the test the luminous intensity shall be restored to its initial value within 1 min.</p> <p>Regulating controls need not function during the test, but after the test the mode of the control shall be the same as before the test provided that during the test no mode changing commands were given.</p>
<b>Criteria C:</b>	<p>During and after the test any change of the luminous intensity is allowed and the lamp(s) may be extinguished. After the test, within 30 min, all functions shall return to normal. if necessary by temporary interruption of the mains supply and/or operating the regulating control.</p> <p>Additional requirement for N/A equipment incorporating a starting device: After the test the N/A equipment is switched off. After half an hour it is switched on again. The N/A equipment shall start and operate as intended.</p>



## 8.3. ELECTROSTATIC DISCHARGE (ESD)

### 8.3.1. TEST SPECIFICATION

<b>Basic Standard:</b>	EN 61000-4-2
<b>Discharge Impedance:</b>	330 $\Omega$
<b>Charging Capacity:</b>	150 pF
<b>Discharge Voltage:</b>	Air Discharge: $\pm 8$ kV (Direct) Contact Discharge: $\pm 4$ kV (Direct/Indirect)
<b>Polarity:</b>	Positive & Negative
<b>Number of Discharge:</b>	10 times at each test point
<b>Discharge Mode:</b>	1 time/s
<b>Performance Criterion:</b>	B

### 8.3.2. TEST PROCEDURE

The discharges shall be applied in two ways:

- a) Contact discharges to the conductive surfaces and coupling planes:  
Twenty dischargers (10 with positive and 10 with negative polarity) shall be applied on each accessible metallic part of the enclosure, terminals are excluded. In case of a non-conductive enclosure, dischargers shall be applied on the horizontal or vertical coupling planes. Test shall be performed at a maximum repetition rate of one discharge per second.
- b) Air discharges at slots and apertures and insulating surfaces:  
On those parts of the EUT where it is not possible to perform contact discharge testing, the equipment should be investigated to identify user accessible points where breakdown may occur. Such points are tested using the air discharge method. This investigation should be restricted to those area normally handled by the user. A minimum of 10 single air discharges shall be applied to the selected test point for each such area.

The basic test procedure was in accordance with IEC 61000-4-2:

- a) The EUT was located 0.1 m minimum from all side of the HCP (dimensions 1.6 m x 0.8 m).
- b) The support units were located another table 30 cm away from the EUT, but direct support unit was/were located at same location as EUT on the HCP and keep at a distance of 10cm with EUT.
- c) The time interval between two successive single discharges was at least 1 second.
- d) Contact discharges were applied to the non-insulating coating, with the pointed tip of



the generator penetrating the coating and contacting the conducting substrate.

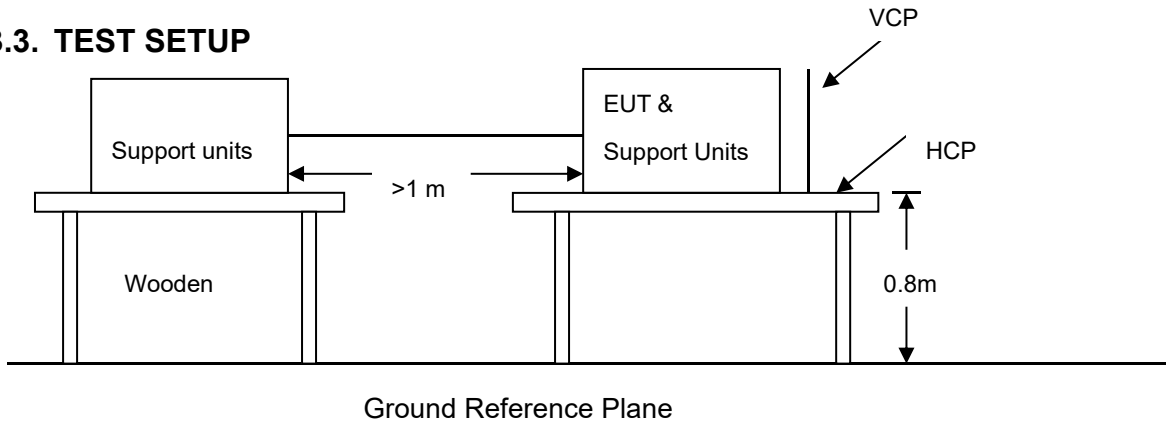
e) Air discharges were applied with the round discharge tip of the discharge electrode approaching the EUT as fast as possible (without causing mechanical damage) to touch the EUT. After each discharge, the ESD generator was removed from the EUT and re-triggered for a new single discharge. The test was repeated until all discharges were complete.

f) At least ten single discharges (in the most sensitive polarity) were applied at the front edge of each HCP opposite the center point of each unit of the EUT and 0.1 meters from the front of the EUT. The long axis of the discharge electrode was in the plane of the HCP and perpendicular to its front edge during the discharge.

g) At least ten single discharges (in the most sensitive polarity) were applied to the center of one vertical edge of the Vertical Coupling Plane (VCP) in sufficiently different positions that the four faces of the EUT were completely illuminated. The VCP (dimensions 0.5 m x 0.5 m) was placed vertically to and 0.1 meters from the EUT.



### 8.3.3. TEST SETUP



For the actual test configuration, please refer to the related item – Photographs of the Test Configuration.

Note:

#### 1) TABLE-TOP EQUIPMENT

The configuration consisted of a wooden table 0.8 meters high standing on the ground reference plane (GRP). The GRP consisted of a sheet of aluminum at least 0.25 mm thick, and 2.5 meters square connected to the protective grounding system. A horizontal coupling plane (HCP) (1.6 m x 0.8 m) was placed on the table and attached to the GRP by means of a cable with 940k total impedance. The equipment under test, was installed in a representative system as described in section 7 of EN 61000-4-2, and its cables were placed on the HCP and isolated by an insulating support of 0.5 mm thickness. A distance of 1-meter minimum was provided between the EUT and the walls of the laboratory and any other metallic structure.

#### 2) FLOOR-STANDING EQUIPMENT

The equipment under test was installed in a representative system as described in section 7 of IEC 61000-4-2, and its cables were isolated from the ground reference plane by an insulating support of 0.1 meter thickness. The GRP consisted of a sheet of aluminum that is at least 0.25 mm thick, and 2.5 meters square connected to the protective grounding system and extended at least 0.5 meters from the EUT on all sides.





### 8.3.4. TEST RESULT

<b>Product</b>	Emergency Lighting	<b>Environmental Conditions</b>	24.4°C, 54.6 % RH, 101.1 kPa
<b>Model</b>	MT0303	<b>Tested By</b>	Yang
<b>Test mode</b>	Lighting	<b>Test Result</b>	Pass

Air Discharge					
Test Points	Test Levels	Results			
	± 8 kV	Pass	Fail	Observation	Performance Criterion
LED 1 Point	<input checked="" type="checkbox"/>	<input checked="" type="checkbox"/>	<input type="checkbox"/>	Note <input type="checkbox"/> 1 <input checked="" type="checkbox"/> 2 <input type="checkbox"/> 3	B
Ports 6 Points	<input checked="" type="checkbox"/>	<input checked="" type="checkbox"/>	<input type="checkbox"/>	Note <input type="checkbox"/> 1 <input checked="" type="checkbox"/> 2 <input type="checkbox"/> 3	B
Display 4 Points	<input checked="" type="checkbox"/>	<input checked="" type="checkbox"/>	<input type="checkbox"/>	Note <input type="checkbox"/> 1 <input checked="" type="checkbox"/> 2 <input type="checkbox"/> 3	B

Contact Discharge					
Test Points	Test Levels	Results			
	± 4 kV	Pass	Fail	Observation	Performance Criterion
HCP 2 Points	<input checked="" type="checkbox"/>	<input checked="" type="checkbox"/>	<input type="checkbox"/>	Note <input type="checkbox"/> 1 <input checked="" type="checkbox"/> 2 <input type="checkbox"/> 3	B
VCP 2 Points	<input checked="" type="checkbox"/>	<input checked="" type="checkbox"/>	<input type="checkbox"/>	Note <input type="checkbox"/> 1 <input checked="" type="checkbox"/> 2 <input type="checkbox"/> 3	B

- Note: 1) There was no change compared with initial operation during the test.  
 2) During the test the luminous intensity change, and after the test the luminous intensity can be restored to its initial value within 1 min.  
 3) During the test, the luminous intensity change and after the test the luminous intensity can return to normal within 30 min.



## 8.4. RADIATED, RADIO-FREQUENCY, ELECTROMAGNETIC FIELD (RS)

### 8.4.1. TEST SPECIFICATION

<b>Basic Standard:</b>	EN 61000-4-3
<b>Frequency Range:</b>	80 MHz ~ 1000 MHz
<b>Field Strength:</b>	3 V/m
<b>Modulation:</b>	1 kHz Sine Wave, 80 %, AM Modulation
<b>Frequency Step:</b>	1 % of preceding frequency value
<b>Polarity of Antenna:</b>	Horizontal and Vertical
<b>Test Distance:</b>	3 m
<b>Antenna Height:</b>	1.5 m
<b>Performance Criterion:</b>	A

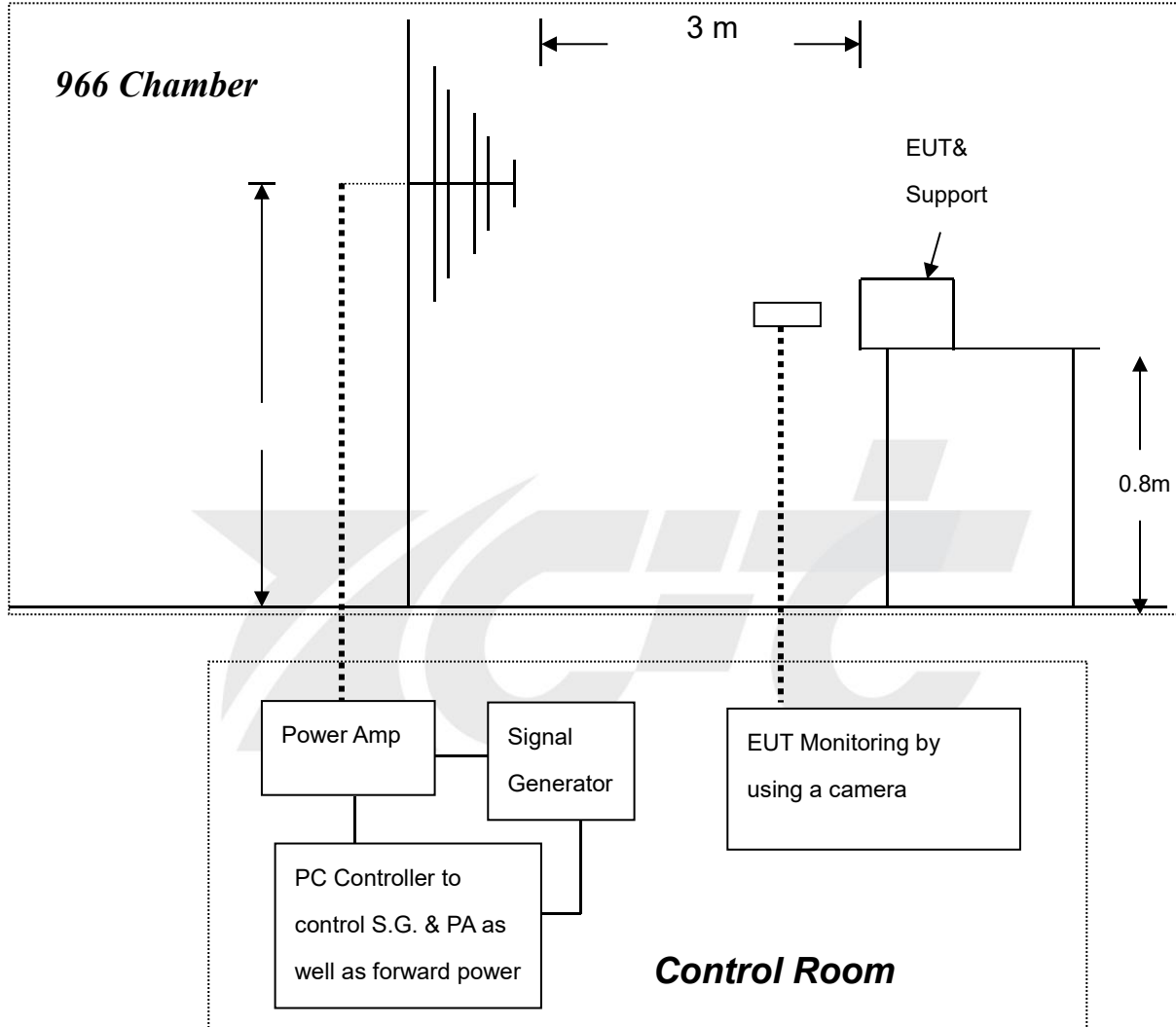
### 8.4.2. TEST PROCEDURE

The test procedure was in accordance with EN 61000-4-3

- The testing was performed in a fully anechoic chamber. The transmit antenna was located at a distance of 3 meters from the EUT.
- The frequency range is swept from 80 MHz to 1000 MHz, with the signal 80% amplitude modulated with a 1 kHz sine-wave. The rate of sweep did not exceed  $1.5 \times 10^{-3}$  decade/s, where the frequency range is swept incrementally, the step size was 1 % of preceding frequency value.
- The dwell time at each frequency shall be not less than the time necessary for the EUT to be able to respond.
- The test was performed with the EUT exposed to both vertically and horizontally polarized fields on each of the four sides.



### 8.4.3. TEST SETUP



For the actual test configuration, please refer to the related item – Photographs of the Test Configuration.  
Note:

#### TABLETOP EQUIPMENT

The EUT installed in a representative system as described in section 7 of EN 61000-4-3 was placed on a non-conductive table 0.8 meters in height. The system under test was connected to the power and signal wire according to relevant installation instructions.

#### FLOOR STANDING EQUIPMENT

The EUT installed in a representative system as described in section 7 of IEC 61000-4-3 was placed on a non-conductive wood support 0.1 meters in height. The system under test was connected to the power and signal wire according to relevant installation instructions.



#### 8.4.4. TEST RESULT

<b>Product</b>	Emergency Lighting	<b>Environmental Conditions</b>	24.4°C, 54.6 % RH, 101.1 kPa
<b>Model</b>	MT0303	<b>Tested By</b>	Yang
<b>Test mode</b>	Lighting	<b>Test Result</b>	Pass

Frequency (MHz)	Polarity	Position	Field Strength (V/m)	Observation	Performance Criterion
80 ~ 1000	V&H	Front	3	Note <input checked="" type="checkbox"/> 1 <input type="checkbox"/> 2 <input type="checkbox"/> 3	A
80 ~ 1000	V&H	Rear	3	Note <input checked="" type="checkbox"/> 1 <input type="checkbox"/> 2 <input type="checkbox"/> 3	A
80 ~ 1000	V&H	Left	3	Note <input checked="" type="checkbox"/> 1 <input type="checkbox"/> 2 <input type="checkbox"/> 3	A
80 ~ 1000	V&H	Right	3	Note <input checked="" type="checkbox"/> 1 <input type="checkbox"/> 2 <input type="checkbox"/> 3	A

Note: 1) There was no change compared with initial operation during the test.

2) During the test the luminous intensity change ,and after the test the luminous intensity can be restored to its initial value within 1 min.

3) During the test, the luminous intensity change and after the test the luminous intensity can return to normal within 30 min.



## 8.5. ELECTRICAL FAST TRANSIENT (EFT)

### 8.5.1. TEST SPECIFICATION

<b>Basic Standard:</b>	EN 61000-4-4
<b>Test Voltage:</b>	Power Line: $\pm 1$ kV Signal/Control Line: $\pm 0.5$ kV
<b>Polarity:</b>	Positive & Negative
<b>Impulse Frequency:</b>	5 kHz
<b>Impulse Wave-shape:</b>	5/50 ns
<b>Burst Duration:</b>	15 ms
<b>Burst Period:</b>	300 ms
<b>Test Duration:</b>	2 mins
<b>Performance Criterion:</b>	B

### 8.5.2. TEST PROCEDURE

EUT is placed on a 0.1 m tall wooden table.

EUT operate at normal mode, the transient/burst was 5/50 ns in accordance with EN 61000-4-4, both positive and negative polarity burst waveform were applied.

The duration time of each test line was 2 minutes.

### 8.5.3. TEST SETUP

The EUT installed in a representative system as described in section 7 of EN 61000-4-4.

For the actual test configuration, please refer to the related item – photographs of the test configuration.



### 8.5.4. TEST RESULT

<b>Product</b>	Emergency Lighting	<b>Environmental Conditions</b>	24.4°C, 54.4 % RH, 101.1 kPa
<b>Model</b>	MT0303	<b>Tested By</b>	Yang
<b>Test mode</b>	Lighting	<b>Test Result</b>	Pass

Test Point	Polarity	Test Level (kV)	Observation	Performance Criterion
L	+/-	1	Note <input type="checkbox"/> 1 <input checked="" type="checkbox"/> 2 <input type="checkbox"/> 3	B
N	+/-	1	Note <input type="checkbox"/> 1 <input checked="" type="checkbox"/> 2 <input type="checkbox"/> 3	B
L – N	+/-	1	Note <input type="checkbox"/> 1 <input checked="" type="checkbox"/> 2 <input type="checkbox"/> 3	B
PE	--	--	N/A	N/A
L – PE	--	--	N/A	N/A
N – PE	--	--	N/A	N/A
L – N – PE	--	--	N/A	N/A
Signal/Control cable	--	--	N/A	N/A

- Note: 1) There was no change compared with initial operation during the test.  
 2) During the test the luminous intensity change ,and after the test the luminous intensity can be restored to its initial value within 1 min.  
 3) During the test, the luminous intensity change and after the test the luminous intensity can return to normal within 30 min.



## 8.6. SURGE IMMUNITY TEST

### 8.6.1. TEST SPECIFICATION

<b>Basic Standard:</b>	EN 61000-4-5
<b>Wave-Shape:</b>	Combination Wave 1.2/50 $\mu$ s Open Circuit Voltage 8/20 $\mu$ s Short Circuit Current Power Port ~ Line to line: $\pm 0.5$ kV, Line to ground: $\pm 1$ kV ( to self-ballasted lamps and semi-luminaries; luminaires and independent auxiliaries which are less than 25 W)
<b>Test Voltage:</b>	Power Port ~ Line to line: $\pm 1$ kV, Line to ground: $\pm 2$ kV (to luminaires and independent auxiliaries which are more than 25 W)
<b>Surge Input/Output:</b>	Power Line: L-N / L-PE / N-PE
<b>Generator Source Impedance:</b>	2 $\Omega$ between networks 12 $\Omega$ between network and ground
<b>Polarity:</b>	Positive/Negative
<b>Phase Angle:</b>	90°(positive polarity pulses) / 270°(negative polarity pulses)
<b>Pulse Repetition Rate:</b>	1 time / min.
<b>Number of Tests:</b>	5 positive polarity pulses at the 90° phase angle, and 5 negative polarity pulses at 270° phase angle
<b>Performance Criterion:</b>	B

### 8.6.2. TEST PROCEDURE

EUT is placed on a 0.1 m (table type equipment) / 0.8 m (floor type equipment) tall wooden table.

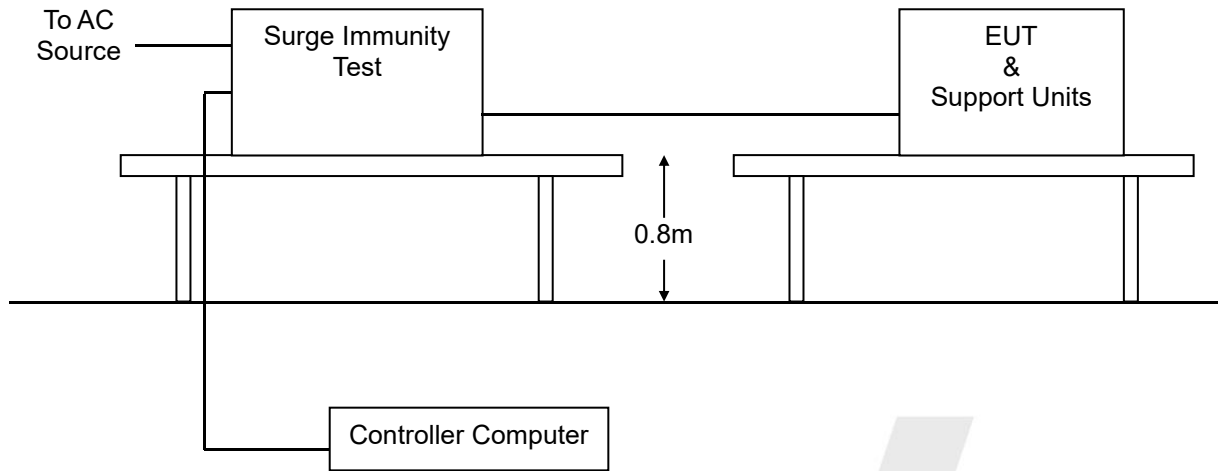
EUT operate at normal mode, two types of combination wave generator (1.2/50 us open-circuit voltage and 8/20 us short-circuit current) are applied to the EUT power supply terminals via the capacitive coupling network.

The power cord between the EUT and the coupling/decoupling network shall not exceed 2 m in length.





### 8.6.3. TEST SETUP



For the actual test configuration, please refer to the related item – Photographs of the Test Configuration.

### 8.6.4. TEST RESULT

<b>Product</b>	Emergency Lighting	<b>Environmental Conditions</b>	24.4°C, 54.6 % RH, 101.1 kPa
<b>Model</b>	MT0303	<b>Tested By</b>	Yang
<b>Test mode</b>	Lighting	<b>Test Result</b>	Pass

Test Point	Polarity	Test Level (kV)	Observation	Performance Criterion
L - N	+/-	1	Note <input type="checkbox"/> 1 <input checked="" type="checkbox"/> 2 <input type="checkbox"/> 3	B
L - PE	--	--	--	--
N - PE	--	--	--	--

Note: 1) There was no change compared with initial operation during the test.

2) During the test the luminous intensity change ,and after the test the luminous intensity can be restored to its initial value within 1 min.

3) During the test, the luminous intensity change and after the test the luminous intensity can return to normal within 30 min.



## 8.7. CONDUCTED RADIO FREQUENCY DISTURBANCES (CS)

### 8.7.1. TEST SPECIFICATION

<b>Basic Standard:</b>	EN 61000-4-6
<b>Frequency Range:</b>	0.15 MHz ~80 MHz
<b>Field Strength:</b>	3 V
<b>Modulation:</b>	1 kHz Sine Wave, 80 %, AM Modulation
<b>Frequency Step:</b>	1 % of preceding frequency value
<b>Coupled cable:</b>	Power Mains, Shielded
<b>Coupling device:</b>	CDN-M3/2 (3 wires/2 wires)
<b>Performance Criterion:</b>	A

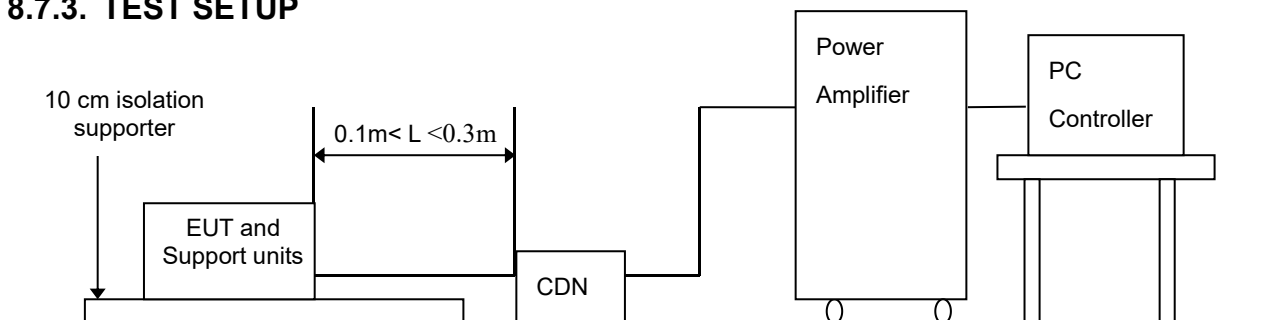
### 8.7.2. TEST PROCEDURE

The EUT shall be tested within its intended operating and climatic conditions.

The test shall be performed with the test generator connected to each of the coupling and decoupling devices in turn, while the other non-excited RF input ports of the coupling devices are terminated by a 50  $\Omega$  load resistor.

The frequency range was swept from 150 kHz to 80 MHz, using the signal level established during the setting process and with a disturbance signal of 80 % amplitude. The signal was modulated with a 1 kHz sine wave, pausing to adjust the RF signal level or the switch coupling devices as necessary. The sweep rate was  $1.5 \times 10^{-3}$  decades/s. Where the frequency range is swept incrementally, the step size was 1 % of preceding frequency value the dwell time of the amplitude modulated carrier at each frequency was 0.5 s.

### 8.7.3. TEST SETUP



For the actual test configuration, please refer to the related item – Photographs of the Test Configuration

Note: 1) The EUT is setup 0.1 m above Ground Reference Plane

2) All relevant cables shall be provided with the appropriate coupling and decoupling devices at a distance between 0.1 meters and 0.3 meters from the projected geometry of the EUT on the ground reference plane.

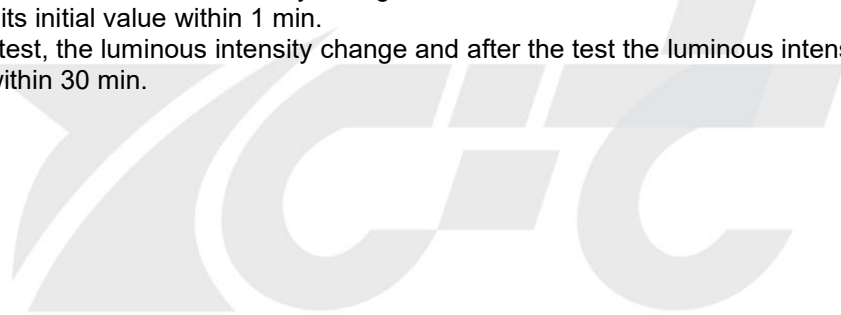


#### 8.7.4. TEST RESULT

<b>Product</b>	Emergency Lighting	<b>Environmental Conditions</b>	24.4°C, 54.6 % RH, 101.1 kPa
<b>Model</b>	MT0303	<b>Tested By</b>	Yang
<b>Test mode</b>	Lighting	<b>Test Result</b>	Pass

Frequency (MHz)	Field Strength (Vrms)	Injected Position	Injection Method	Observation	Performance Criterion
0.15 ~ 80	3	AC Mains	CDN-M2/M3	Note <input checked="" type="checkbox"/> 1 <input type="checkbox"/> 2 <input type="checkbox"/> 3	A

- Note: 1) There was no change compared with initial operation during the test.  
2) During the test the luminous intensity change ,and after the test the luminous intensity can be restored to its initial value within 1 min.  
3) During the test, the luminous intensity change and after the test the luminous intensity can return to normal within 30 min.



## 8.8. POWER FREQUENCY MAGNETIC FIELD

### 8.8.1. TEST SPECIFICATION

<b>Basic Standard:</b>	EN 61000-4-8
<b>Frequency Range:</b>	50 Hz
<b>Field Strength:</b>	1A/m
<b>Observation Time:</b>	5 minutes
<b>Inductance Coil:</b>	Rectangular type, 1 m x 1 m
<b>Performance Criterion:</b>	A

### 8.8.2. TEST PROCEDURE

The equipment is configured and connected to satisfy its functional requirements. It shall be placed on the GRP with the interposition of a 0.1 m-thick insulating support.

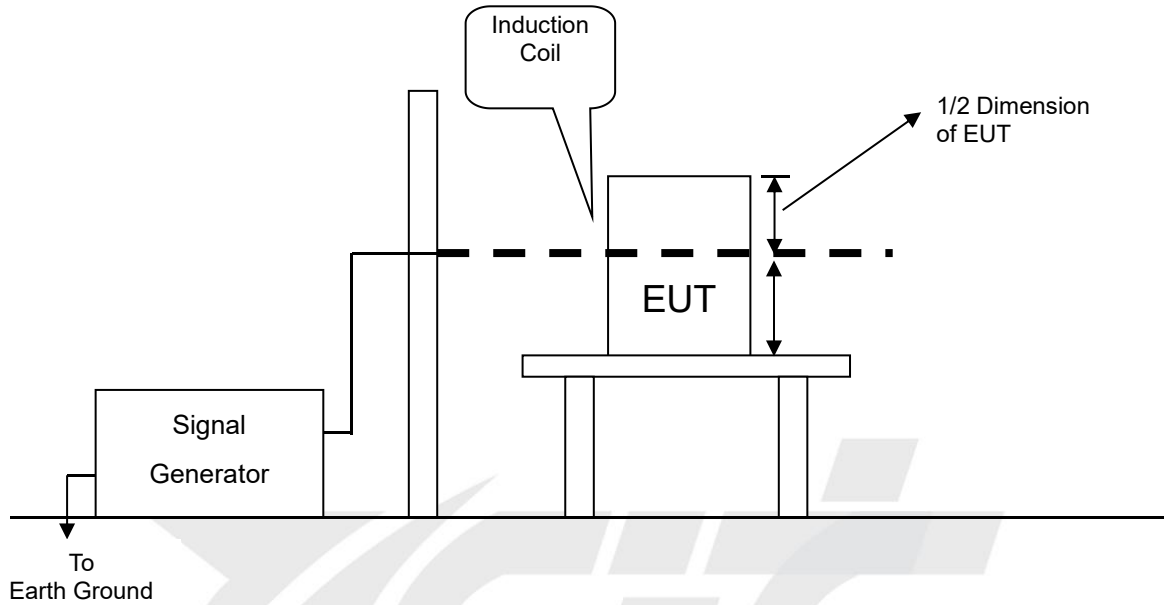
The equipment cabinets shall be connected to the safety earth directly on the GRP via the earth terminal of the EUT.

The power supply, input and output circuits shall be connected to the sources of power supply, control and signal.

The cables supplied or recommended by the equipment manufacturer shall be used. 1 meter of all cables used shall be exposed to the magnetic field.



### 8.8.3. TEST SETUP



For the actual test configuration, please refer to the related item – Photographs of the Test Configuration Note:

#### TABLETOP EQUIPMENT

The equipment shall be subjected to the test magnetic field by using the induction coil of standard dimension (1 m x 1 m). The induction coil shall then be rotated by 90 degrees in order to expose the EUT to the test field with different orientations.

#### FLOOR-STANDING EQUIPMENT

The equipment shall be subjected to the test magnetic field by using induction coils of suitable dimensions. The test shall be repeated by moving and shifting the induction coils, in order to test the whole volume of the EUT for each orthogonal direction. The test shall be repeated with the coil shifted to different positions along the side of the EUT, in steps corresponding to 50 % of the shortest side of the coil. The induction coil shall then be rotated by 90 degrees in order to expose the EUT to the test field with different orientations.



#### 8.8.4. TEST RESULT

<b>Product</b>	Emergency Lighting	<b>Environmental Conditions</b>	24.4°C, 54.6 % RH, 101.1 kPa
<b>Model</b>	MT0303	<b>Tested By</b>	Yang
<b>Test mode</b>	Lighting	<b>Test Result</b>	Pass

Antenna aspect	Duration (min)	Field Strength (A/m)	Observation	Performance Criterion
X	5 min	1	Note <input checked="" type="checkbox"/> 1 <input type="checkbox"/> 2 <input type="checkbox"/> 3	A
Y	5 min	1	Note <input checked="" type="checkbox"/> 1 <input type="checkbox"/> 2 <input type="checkbox"/> 3	A
Z	5 min	1	Note <input checked="" type="checkbox"/> 1 <input type="checkbox"/> 2 <input type="checkbox"/> 3	A

The test only applies to apparatus containing device susceptible to magnetic fields, such as hall elements or magnetic field sensor, so this item isn't applicable to the products.



## 8.9. VOLTAGE DIP & VOLTAGE INTERRUPTIONS

### 8.9.1. TEST SPECIFICATION

<b>Basic Standard:</b>	EN 61000-4-11
<b>Test Duration Time:</b>	3 test events in sequence
<b>Interval Between Event:</b>	10 seconds
<b>Phase Angle:</b>	0°
<b>Test Cycle:</b>	3 times
<b>Performance Criterion:</b>	0% $U_T$ / 0.5 P, Criterion: B 70% $U_T$ / 10 P, Criterion: C

### 8.9.2. TEST PROCEDURE

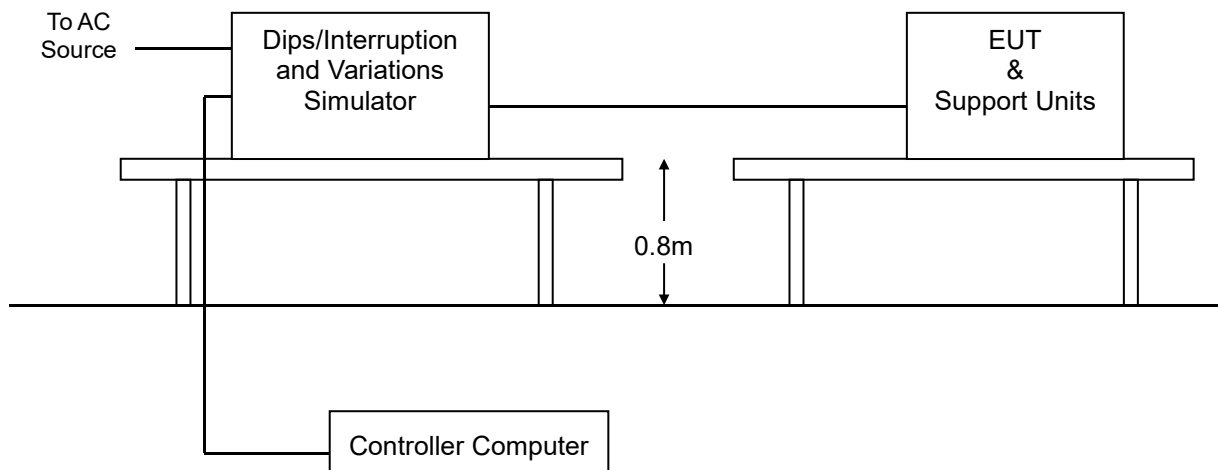
The EUT and support units were located on a wooden table, 0.8 m away from ground floor.

Setting the parameter of tests and then perform the test software of test simulator.

Changes to the voltage level shall occur at 0 degree crossing point in the a.c. voltage waveform.

Record the test result in test record form.

### 8.9.3. TEST SETUP



For the actual test configuration, please refer to the related item – Photographs of the Test Configuration.





#### 8.9.4. TEST RESULT

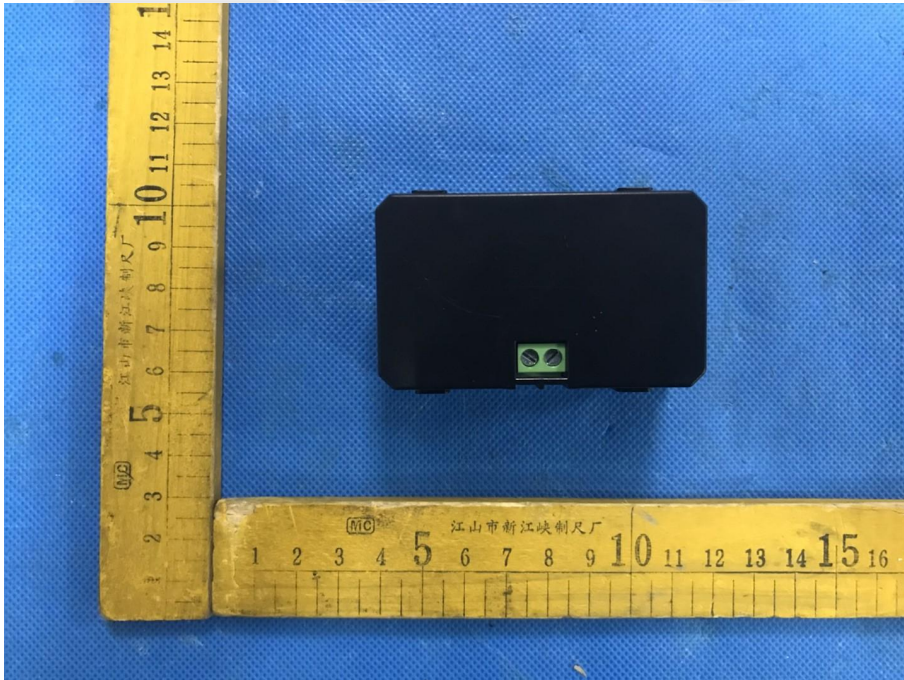
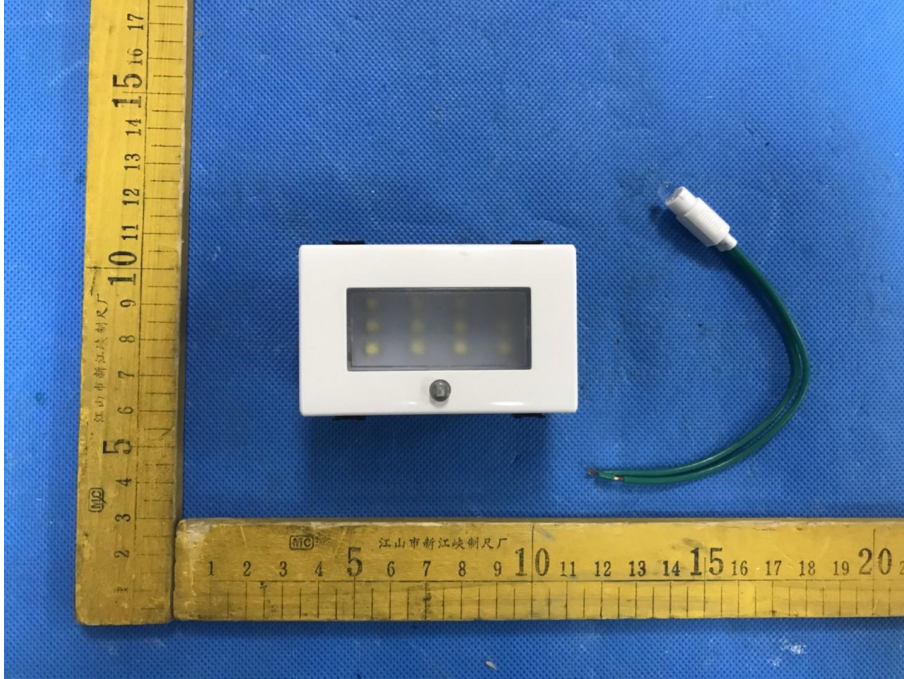
<b>Product</b>	Emergency Lighting	<b>Environmental Conditions</b>	24.4°C, 54.6 % RH, 101.1 kPa
<b>Model</b>	MT0303	<b>Tested By</b>	Yang
<b>Test mode</b>	Lighting	<b>Test Result</b>	Pass

Test Power: 230 Vac, 50 Hz			
Voltage (% Reduction)	Duration (Period)	Observation	Performance Criterion
100	0.5	Note <input type="checkbox"/> 1 <input checked="" type="checkbox"/> 2 <input type="checkbox"/> 3	A
30	10	Note <input type="checkbox"/> 1 <input type="checkbox"/> 2 <input checked="" type="checkbox"/> 3	C

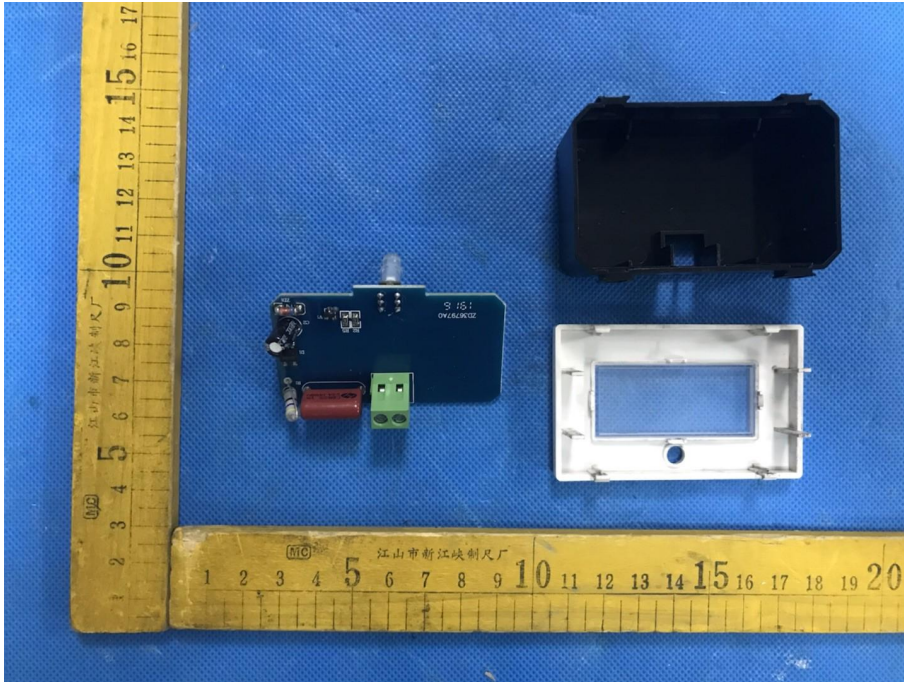
- Note: 1) There was no change compared with initial operation during the test.  
 2) During the test the luminous intensity change ,and after the test the luminous intensity can be restored to its initial value within 1 min.  
 3) During the test, the luminous intensity change, and after the test the luminous intensity can return to normal within 30 min.



## 9. PHOTOGRAPHS OF EUT







— End of report —

